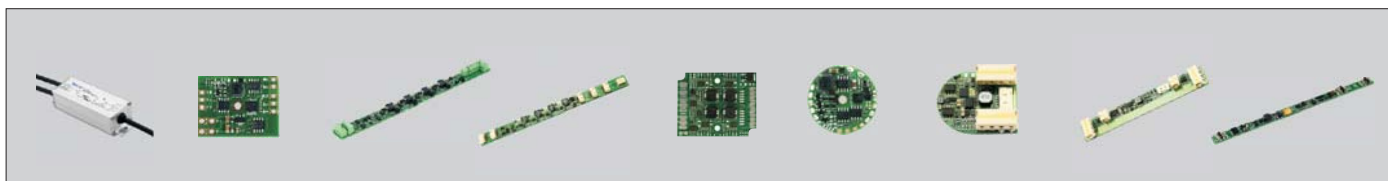


## DC Input DMX512 Dimming Control Drivers



### ■ Application

Applicable to indoor and outdoor lighting fixtures

### ■ Electrical Characteristics

Frequency range	24VDC / 12-36VDC
Control mode	DMX512
Startup time	0-1S at 24VDC

### ■ Environment

Operating Temperature	-40°C ~ 50°C
Storage temperature	-40°C ~ 85°C
Service life	50000 Hours

### ■ Safety & EMC

Performance/safety standards	GB19510.1-2009/IEC61347-1:2007; GB19510.14-2009/IEC61347-2-13:2006; GB/T24825-2009/IEC62384:2006
EMC	GB17625.1-2012/IEC61000-3-2:2009; GB17743-2007/CISPR15:2005

## DC Input DMX512 Dimming Control Drivers



DMX512 Dimming Control  
Constant Current Driver

Power: 12W-54W

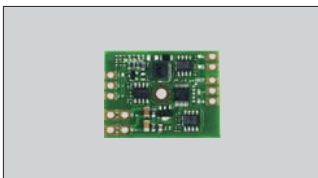
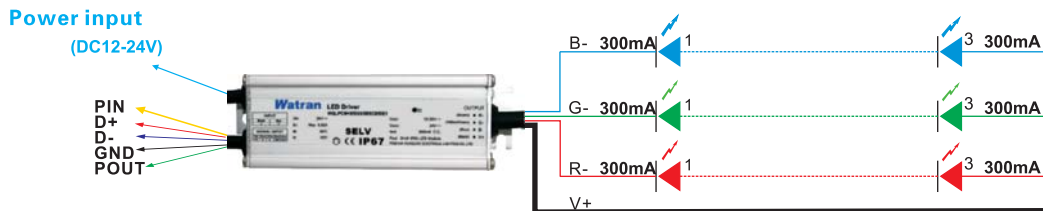


Ta: -40°C ~ 50°C Tc: 70°C

- Control mode: DMX512
- Output type: Constant current output
- Communication with repost function.
- Input with anti-surge function, protection from hot-swappable
- Intelligent protection of temperature, super heat sink current
- Input protect from damage of misconnection

Model	Input	Power(W)	Constant Voltage Output	Efficiency	L × W × H (mm)	Certification	IP Rating	Product Code
HQLPA4×3/D24/300M/D2E2	24VDC	12	300mA ±5% 9~15V	≥85%	124×39.4×31.4	-	IP67	2740221003
HQLPA6×3/D24/300M/D2E2	24VDC	18	300mA ±5% 15~22V	≥85%	124×39.4×31.4	-	IP67	2740222011
HQLPA12×3/D24/600M/D2E2	24VDC	36	600mA ±5% 15~22V	≥88%	124×39.4×31.4	-	IP67	2740225006
HQLPA18×3/D24/900M/D2E2	24VDC	54	900mA ±5% 15~22V	≥88%	124×39.4×31.4	-	IP67	2740251001

### Product load connection mode



DMX512 Single channel  
Dimming Control

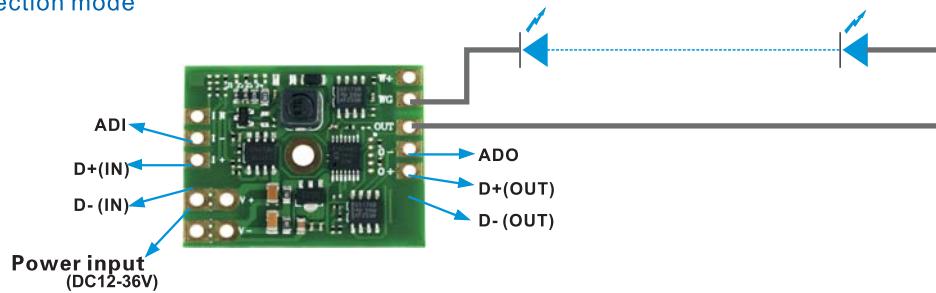
Power: 10W

Ta: -40°C ~ 50°C

- Control mode: DMX512
- Output type: Constant voltage output
- Communication with repost function
- Input with anti-surge function, protection from hot-swappable
- Adopted reliable step-down driver

Model	Input	Power(W)	Constant Voltage Output	Efficiency	L × W × H (mm)	Certification	Product Code
HQLPV10/D14/36M/F4E1	24~36VDC	10	120~1000mA ±5% 2.2~32V	≥85%	38×30×5	-	2741439001

### Product load connection mode



## DC voltage Input DMX512 Dimming Control Drivers



Parallel RGBW Pattern

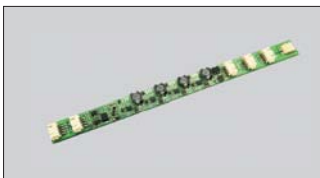
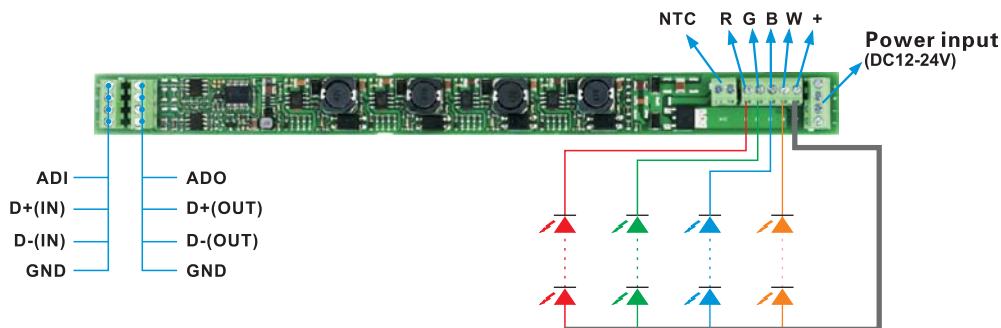
Power: 128W

Ta: -40°C ~ 50°C

- Control mode
- Output type: Constant current output
- Communication with repost function
- High reliability
- Input with anti-surge function, protection from hot-swappable
- Intelligent protection of temperature, super heat sink current
- Adopted reliable step-down driver
- Input protect from damage of misconnection

Model	Channel	Input	Power(W)	Constant current output	Efficiency	L × W × H (mm)	Certification	Product Code
HQLPA32×4/D16/1000M/FE1	4	12~36VDC	128	120-1000mA±5% 2.2-32V	≥90%	220x18x12	-	2741449002

### Product load connection mode



Parallel RGBW Pattern

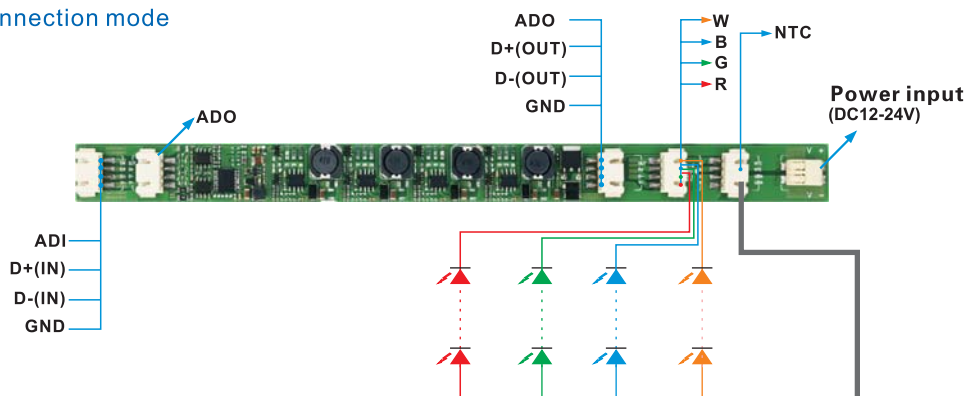
Power: 128W

Ta: -40°C ~ 50°C

- Control mode
- Output type: Constant current output
- Adopted reliable step-down driver
- Communication with repost function
- Input with anti-surge function, protection from hot-swappable
- Intelligent protection of temperature, super heat sink current
- Input protect from damage of misconnection

Model	Channel	Input	Power(W)	Constant current output	Efficiency	L × W × H (mm)	Certification	Product Code
HQLPA32×4/D16/1000M/F1E1	4	12~36VDC	128	120-1000mA±5% 2.2-32V	≥90%	240x18x8	-	2741449003

### Product load connection mode



## DC voltage Input DMX512 Dimming Control Drivers



Parallel RGBW Pattern  
(With RDM Feedback)

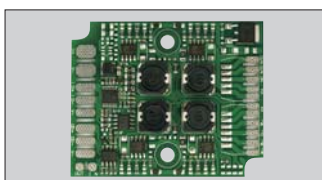
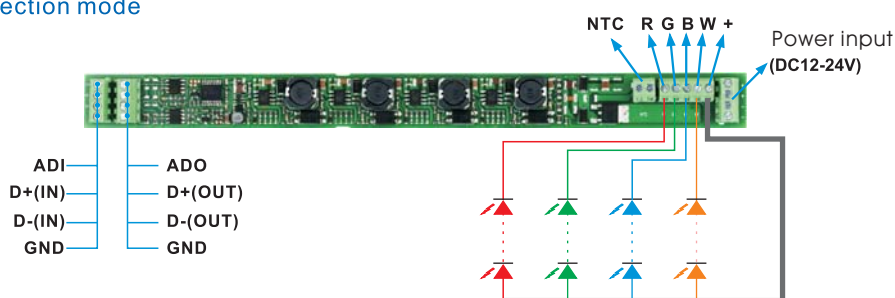
Power: 128W

Ta: -40°C ~ 50°C

- Control mode
- Output type: Constant current output
- Communication with repost function
- Adopted reliable step-down driver
- Input with anti-surge function, protection from hot-swappable
- Intelligent protection of temperature, super heat sink current
- With feedback function, ease to repair (RDM)
- Input protect from damage of misconnection

Model	Channel	Input	Power(W)	Constant current output	Efficiency	L × W × H (mm)	Certification	Product Code
HQLPA32×4/D16/1000MR/FE1	4	12~36VDC	128	120~1000mA±5% 2.2~32V	≥90%	220×18×12	-	2741449006

### Product load connection mode



Parallel RGBW Pattern

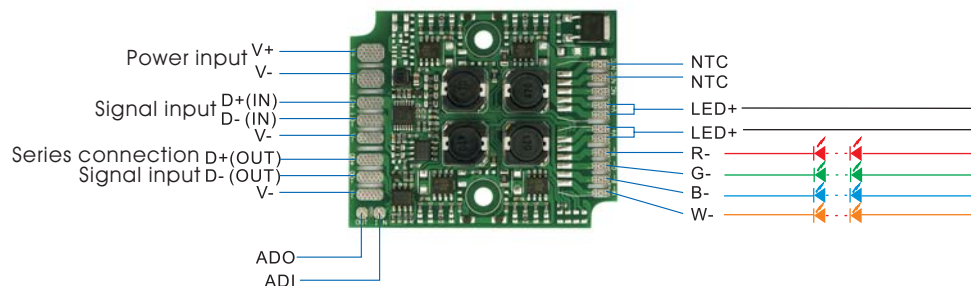
Power: 128W

Ta: -40°C ~ 50°C

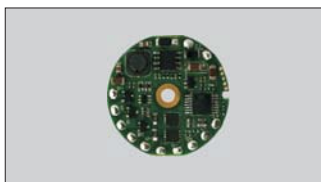
- Control mode
- Output type: Constant current output
- Communication with repost function
- Input with anti-surge function, protection from hot-swappable
- Intelligent protection of temperature, super heat sink current
- Adopted reliable step-down driver
- Input protect from damage of misconnection

Model	Channel	Input	Power(W)	Constant current output	Efficiency	L × W × H (mm)	Certification	Product Code
HQLPA32X4/D16/1000M/F2E1	4	12~36VDC	128	120~1000mA±5% 3~30V	≥90%	60×50×8	-	2741449007

### Product load connection mode



## DC voltage Input DMX512 Dimming Control Drivers



Serial RGBW Pattern

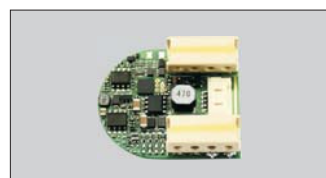
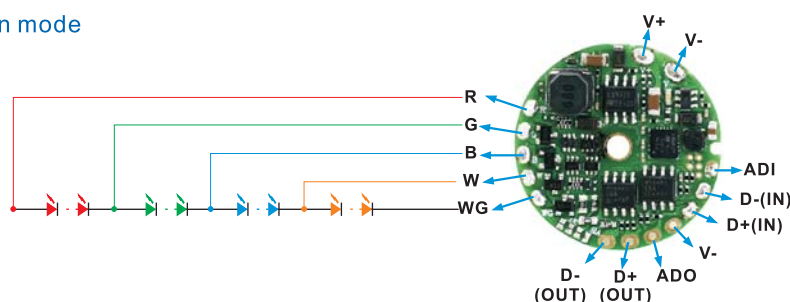
Power: 15W-30W

Ta: -40°C ~ 50°C

- Control mode
- Output type: Constant current output
- Communication with repost function
- Input with anti-surge function, protection from hot-swappable
- Intelligent protection of temperature, super heat sink current
- Adopted reliable step-down driver
- Input protect from damage of misconnection

Model	Input	Power(W)	Constant Current Output	Efficiency	L × W × H (mm)	Certification	Product Code
HQLPB15/D16/500M/F4E1	12~36VDC	15	120~500mA ±5% 2.2~30V	≥90%	Φ30×4	-	2741431003
HQLPB30/D16/1000M/F4E1	12~36VDC	30	500~1000mA ±5% 2.2~30V	≥90%	Φ30×4	-	2741432002

### Product load connection mode



Serial RGBW Pattern

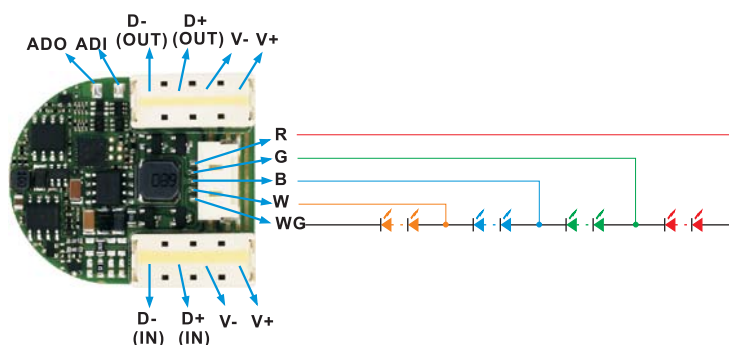
Power: 15W-30W

Ta: -40°C ~ 50°C

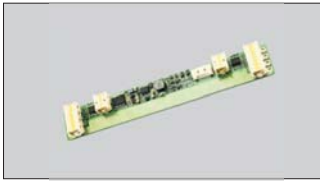
- Control mode
- Output type: Constant current output
- Communication with repost function
- Input protect from damage of misconnection
- Input with anti-surge function, protection from hot-swappable
- Intelligent protection of temperature, super heat sink current
- Adopted reliable step-down driver

Model	Input	Power(W)	Constant Current Output	Efficiency	L × W × H (mm)	Certification	Product Code
HQLPB15/D16/500M/F5E1	12~36VDC	15	120~500mA ±5% 2.2~30V	≥90%	35×30×8	-	2741431004
HQLPB30/D16/1000M/F5E1	12~36VDC	30	500~1000mA ±5% 2.2~30V	≥90%	35×30×8	-	2741432005

### Product load connection mode



## DC voltage Input DMX512 Dimming Control Drivers



Serial RGBW Pattern

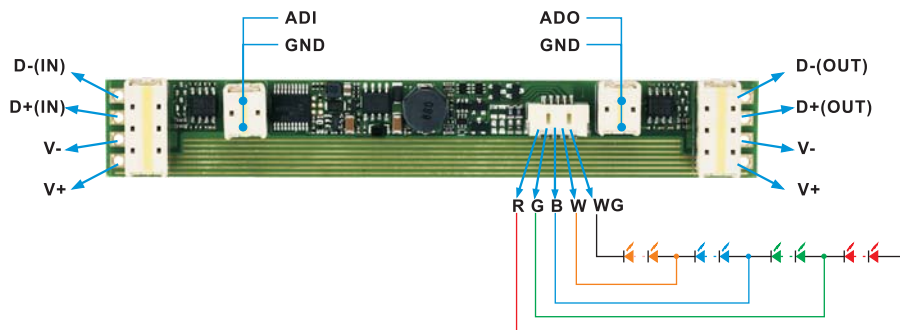
Power: 15W-30W

Ta: -40°C ~ 50°C

- Control mode
- Output type: Constant current output
- Communication with repost function
- Input protect from damage of misconnection
- Input with anti-surge function, protection from hot-swappable
- Intelligent protection of temperature, super heat sink current
- Adopted reliable step-down driver

Model	Input	Power(W)	Constant Voltage Output	Efficiency	L × W × H (mm)	Certification	Product Code
HQLPB15/D16/500M/F1E1	12~36VDC	15	120~500mA±5% 2.2~30V	≥90%	120×18×10	-	2741431005
HQLPB30/D16/1000M/F1E1	12~36VDC	30	500~1000mA±5% 2.2~30V	≥90%	120×18×10	-	2741432006

### Product load connection mode



## DC voltage Input DMX512 Dimming Control Drivers



DMX512-SPI Driver

Power: 108W

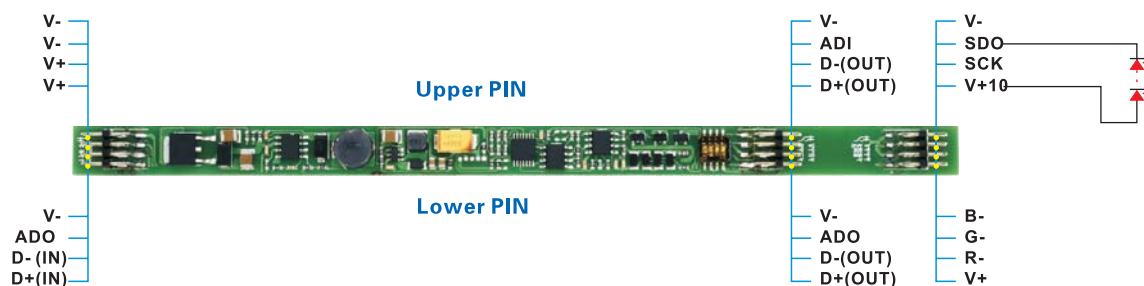
Ta: -40°C ~ 50°C

- Control mode: DMX512-SPI (16bit)
- Output type: Constant voltage output
- Adopted reliable step-down driver.
- Communication with reposit function (available for series and parallel connection)
- Input with anti-surge function, protection from hot-swappable
- Intelligent protection of temperature, super heat sink current
- Input protect from damage of misconnection

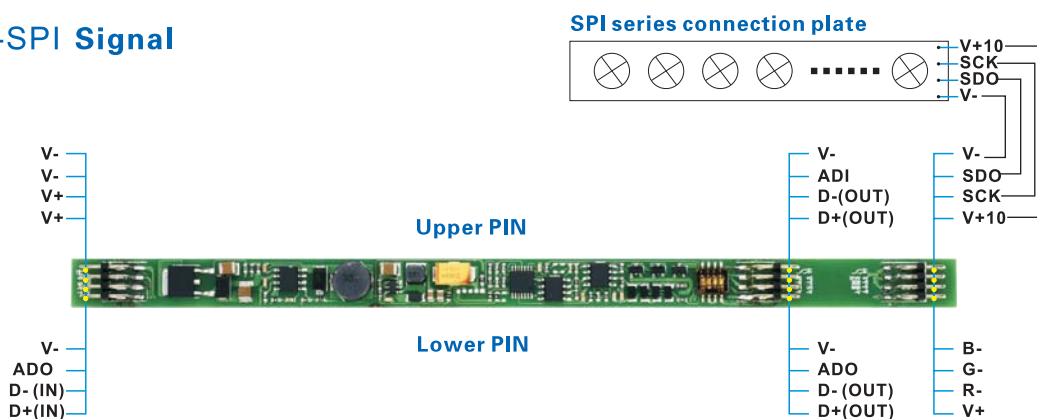
Model	Conversion mode	Channel	Input	Power(W)	Output	Efficiency	L × W × H (mm)	Certification	Product Code
HQLPB36×3/D16/1000M/FE1	PWM	3	12~36VDC	36	1A 36V	≥90%	183×10×6	-	2741470001
	SPI	1		10	1A 10V				

### Product load connection mode

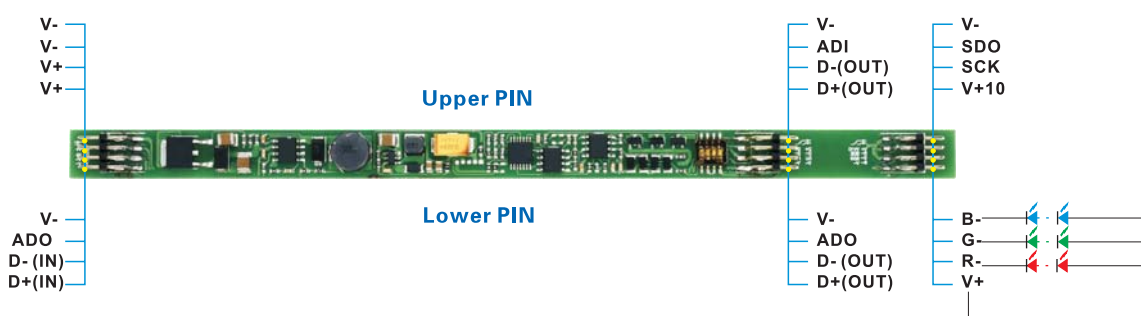
#### 10V/1A Voltage output



#### DMX512-SPI Signal



#### DMX512-PWM Signal



## AC Voltage Input DMX512 Dimming Control Drivers



### ■ Application

Apple to indoor and outdoor lighting fixtures

### ■ Electrical Characteristics

Frequency range	220-240VAC
Control mode	DMX512
Startup time	0-1S at 220VDC

### ■ Environment

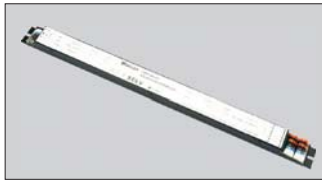
Operating Temperature	-40°C ~ 50°C
Storage temperature	-40°C ~ 85°C
Service life	50000小时

### ■ Safety & EMC

Withstand Voltage	I/P - O/P : 3.75KVAC,60s ; I/P - FG :1.875KVAC.60s ; O/P -FG :1.875KVAC.60s
Surge Protection	EN61000-4-5 (Surge: L-N : 6KVAC , L-FG : 6KVAC ,N-FG : 6KVAC )
Performance/safety standards	GB19510.1-2009/IEC61347-1:2007; GB19510.14-2009/IEC61347-2-13:2006; GB/T24825-2009/IEC62384:2006
EMC	GB17625.1-2012/IEC61000-3-2:2009; GB17743-2007/CISPR15:2005



# AC Voltage Input DMX512 Dimming Control Drivers



Power: 60W

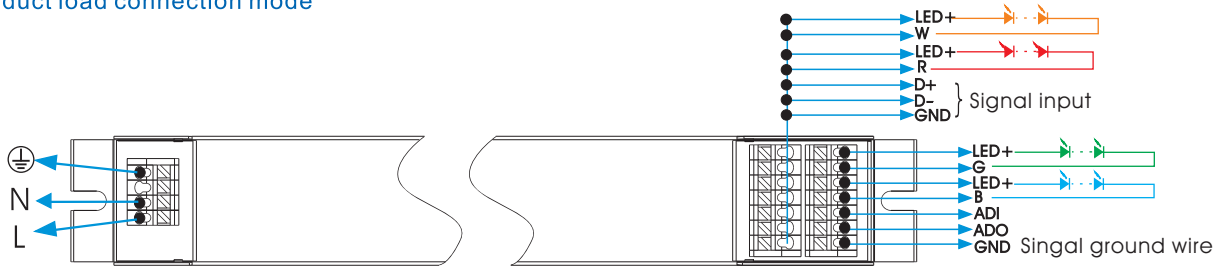


Ta: -40°C ~ 50°C Tc: 80°C Surge: 6KV

- Control mode
- Output type: Constant current output
- Output line way: Terminal
- Input with anti-surge function, protection from hot-swappable
- Intelligent protection of temperature, super heat sink current
- Adopted reliable step-down driver

Model	Channel	Input	Power(W)	Constant current output	Efficiency	L × W × H (mm)	Certification	Product Code
HQLPA15×4/221/500M/C6E2	4	220~240VAC	15×4	500mA ±5% 20~30V	≥80%	425×30×21	CE、CCC	2740846033
HQLPA15×4/221/700M/C6E2	4	220~240VAC	15×4	700mA ±5% 15~22V	≥80%	425×30×21	CE、CCC	2740846034
HQLPA20×3/221/500M/C6E2	3	220~240VAC	20×3	500mA ±5% 32~38V	≥80%	425×30×21	CE、CCC	2740846035
HQLPA20×3/221/700M/C6E2	3	220~240VAC	20×3	700mA ±5% 18~28V	≥80%	425×30×21	CE、CCC	2740846036

## Product load connection mode



Power: 120W-144W



Ta: -40°C ~ 50°C Tc: 80°C Surge: 6KV

- Control mode
- Output type: Constant current output
- Output line way: Terminal
- Input with anti-surge function, protection from hot-swappable
- Intelligent protection of temperature, super heat sink current
- Adopted reliable step-down driver

Model	Channel	Input	Power(W)	Constant current output	Efficiency	L × W × H (mm)	Certification	Product Code
HQLPA36×4/221/700M/C8E2	4	220~240VAC	36×4	700mA ±5% 35~52V	≥80%	464×48×30	CE、CCC	2740837037
HQLPA36×4/221/1000M/C8E2	4	220~240VAC	36×4	1000mA ±5% 30~39V	≥80%	464×48×30	CE、CCC	2740837038
HQLPA30×4/221/700M/C8E2	4	220~240VAC	30×4	700mA ±5% 28~42V	≥80%	464×48×30	CE、CCC	2740828026
HQLPA30×4/221/1050M/C8E2	4	220~240VAC	30×4	1050mA ±5% 12~28V	≥80%	464×48×30	CE、CCC	2740828027

## Product load connection mode



## AC Voltage Input DMX512 Dimming Control Drivers



Power: 144W-150W



Ta: -40°C ~ 50°C Tc: 80°C Surge: 6KV

- Control mode
- Output type: Constant current output
- Output line way: Terminal
- Input with anti-surge function, protection from hot-swappable
- Intelligent protection of temperature, super heat sink current
- Adopted reliable step-down driver

Model	Channel	Input	Power(W)	Constant current output	Efficiency	L × W × H (mm)	Certification	Product Code
HQLPA36×4/221/700M/C9E2	4	220~240VAC	36×4	700mA ±5% 36~52V	≥80%	370×60×30	CE, CCC	2740837039
HQLPA36×4/221/1050M/C9E2	4	220~240VAC	36×4	1050mA ±5% 24~36V	≥80%	370×60×30	CE, CCC	2740837040
HQLPA36×4/221/1400M/C9E2	4	220~240VAC	36×4	1400mA ±5% 18~26V	≥80%	370×60×30	CE, CCC	2740837041
HQLPA36×4/221/1750M/C9E2	4	220~240VAC	36×4	1750mA ±5% 15~21V	≥80%	370×60×30	CE, CCC	2740837042
HQLPA50×3/221/1300M/C9E2	3	220~240VAC	50×3	1300mA ±5% 26~38V	≥80%	370×60×30	CE, CCC	2740837043

### Product load connection mode

